



ANJUMAN-I-ISLAM'S
KALSEKAR TECHNICAL CAMPUS, NEW PANVEL

School of Engineering & Technology

Subject: Engineering Mechanics
Marks: 20
Class: F.E

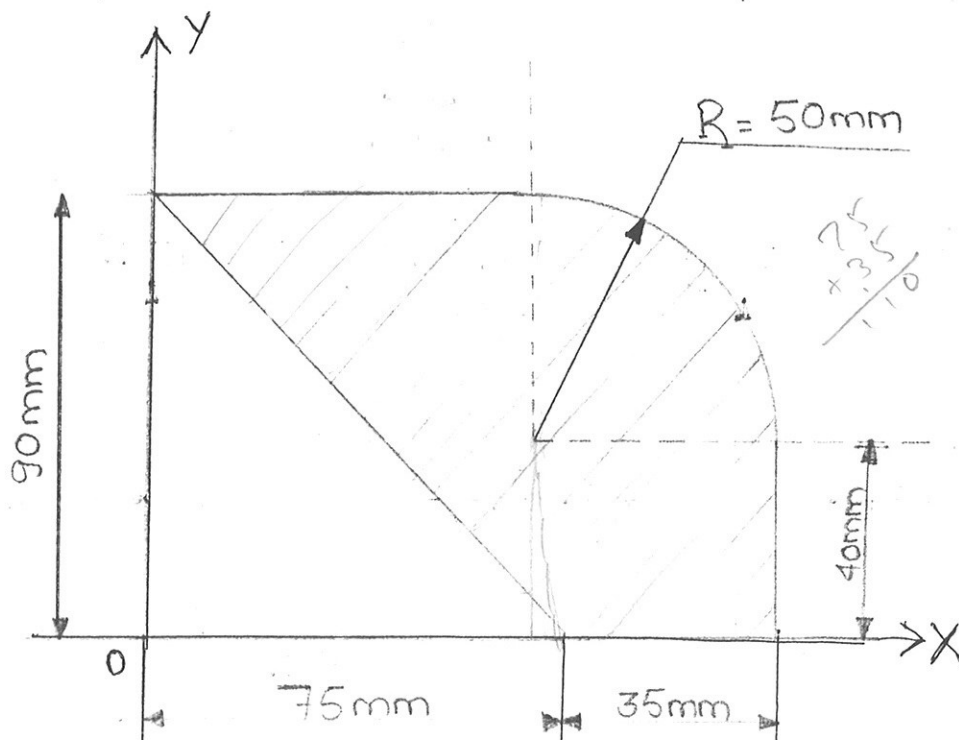
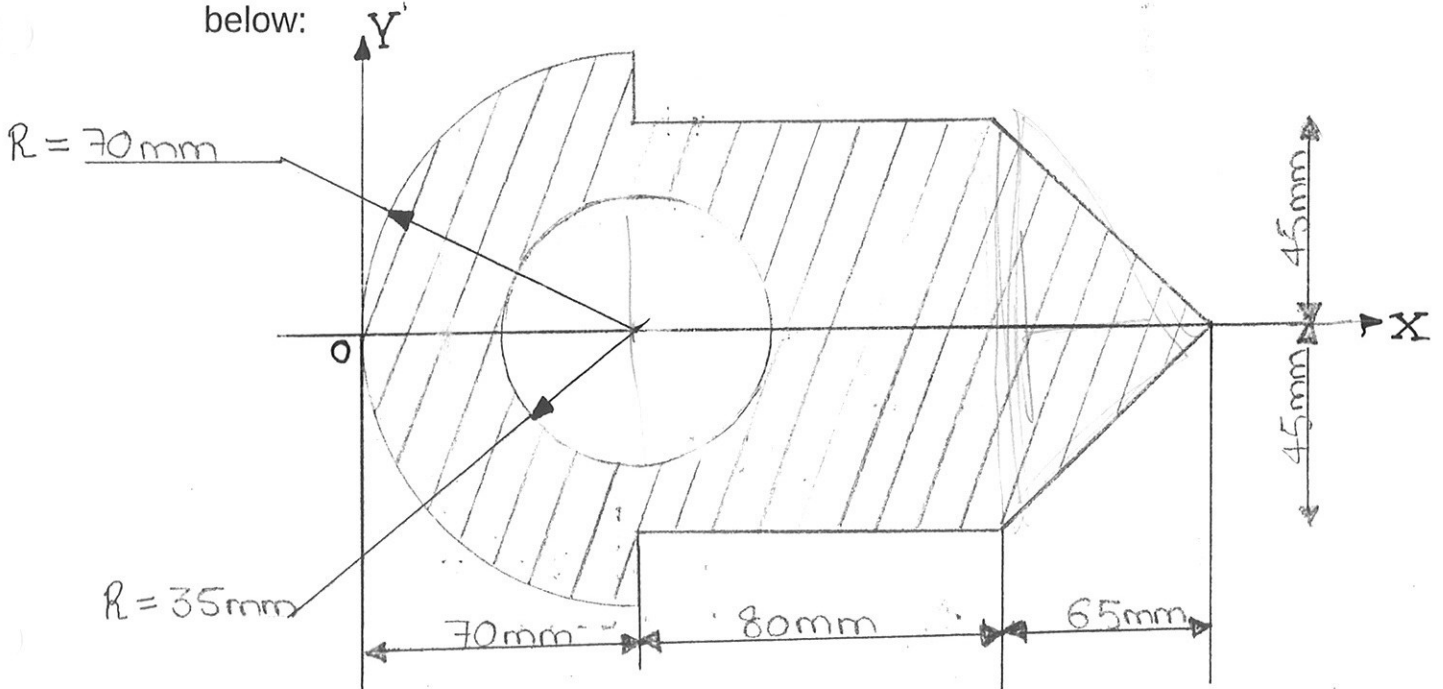
Date: 10-09-14
Duration: 1:00 hr.
Branch: First Year Common

First Unit Test

Q1: Attempt any one.

(08)

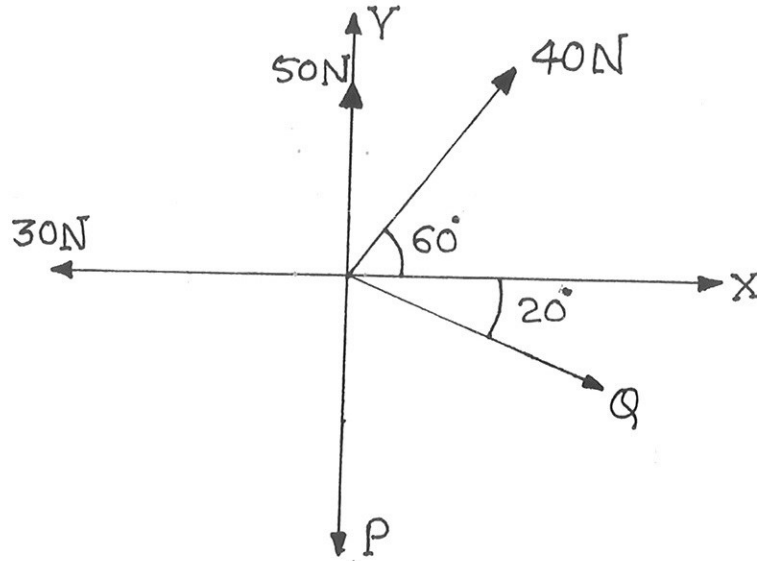
a) Find the centroid of the shaded area shown in the figures given below:



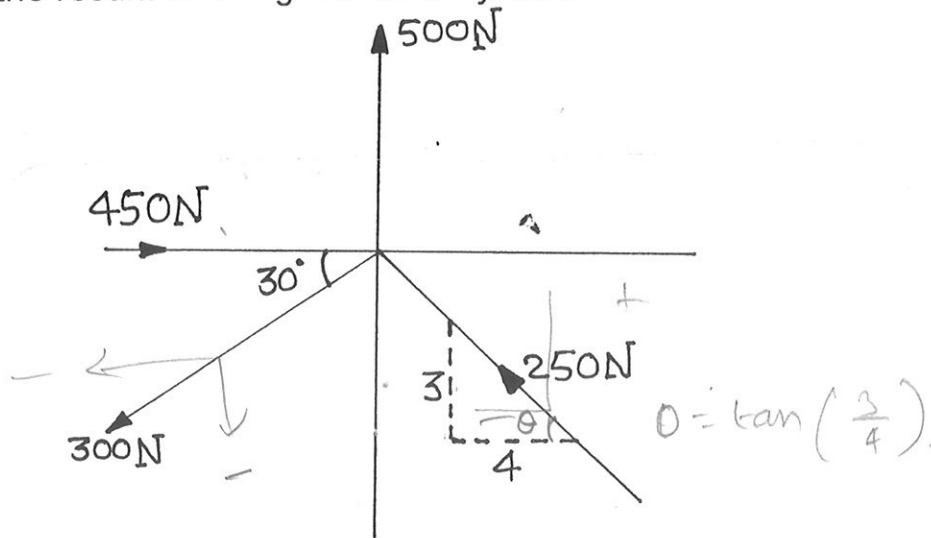
Q2) Attempt any two: -

(12)

- a) Find the forces "P" & "Q" such that resultant of given forces system is zero.



- b) Find out the resultant of a given force system.



- c) Find the resultant of a given forces system and also find out its position from point "A".

