



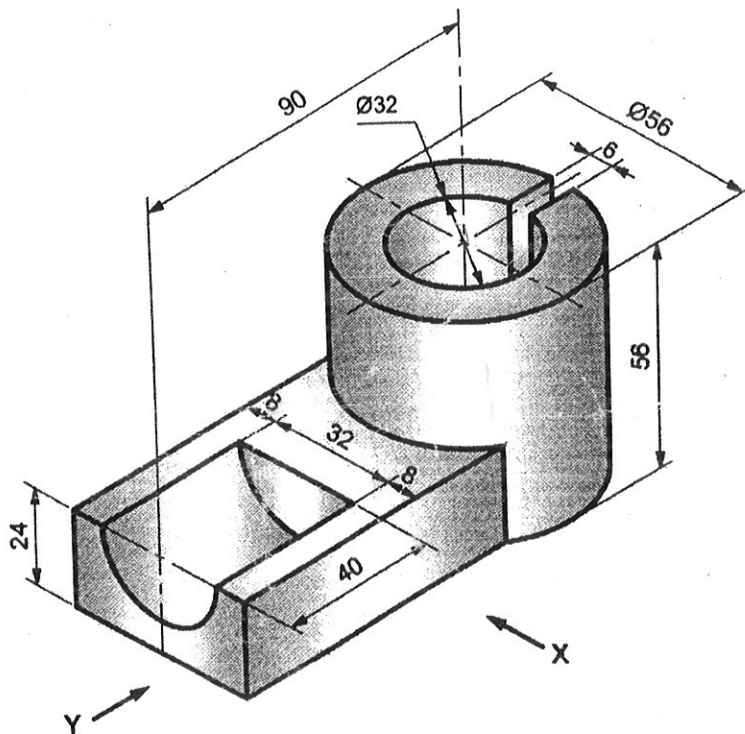
Marks: 15 F.E. SEM II T1 – Engineering Drawing (2016-17) Time: 1:00 Hr

1. All dimensions are in mm
2. Use first angle method of projection
3. Assume suitable data wherever necessary
4. The figures at the right indicate marks

**Q.1 Draw**

- a) Front View in the direction X
- b) TV

05  
04



**Q.2 Solve any one**

- a) A Straight line AB 80 mm long is inclined at  $30^\circ$  to the HP and at  $45^\circ$  to the VP. Its mid-point C is in the VP and 18 mm above the HP, while its end A is in third quadrant, and the end B is in the first quadrant. Draw its projections. 06

OR

- b) A circle of radius 25 mm rolls, without slipping, on a horizontal line for half a revolution and then on a vertical line for another half revolution. Draw a curve traced out by a point P on the circumference of the circle. 06