

SHAH AND ANCHOR KUTCHHI ENGINEERING COLLEGE

Chembur, Mumbai-400088

Test-I

Subject – Engineering Drawing

Time: 12:00-01:00

Date: 03/03/2017

Maximum marks: 15

Important Instructions:

1. Figures to the right indicate full marks.
2. Solve all the questions.

Q1.a) The front view of a line is 50 mm long and inclined at  $60^{\circ}$  to the XY line. The line is 70 mm long. Determine the inclination of the line with H.P and V.P. The end A of the line is 10 mm above H.P and 20 mm behind V.P. The end B is in first quadrant. Draw the projections of the line. (07 Marks)

OR

Q1.b) A wheel of diameter 60 mm rolls on a straight horizontal road. Draw the locus of point P on the periphery of the wheel for one revolution of the wheel, if P is initially on the road. Also draw normal and tangent at any point on the curve. (07Marks)

Q2.a) A pentagonal prism of 40 mm edge of the base and 70 mm length of axis is having an edge of the base in the H.P and rectangular face containing that edge is inclined at  $30^{\circ}$  to the H.P and perpendicular to V.P. Draw its projections. (08Marks)

OR

Q2.b) Figure (2b) shows pictorial view of an object. Draw F.V and T.V using first angle method of projection. (08 Marks)

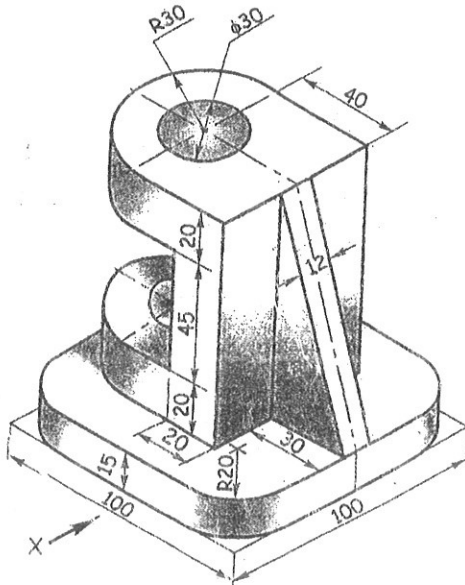


Fig. (2b)