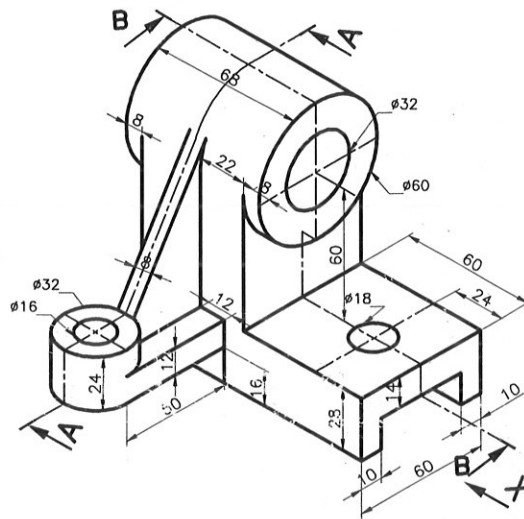


Vidyalankar Institute Of Technology

IA-I Sub-Engineering Drawing Marks-15 Time-1 Hr.

Note:- Solve any one of the Question.

- Q1. (a) Draw an involute of a circle of 60 mm diameter. (5)
 (b) A hexagonal prism of 35mm edge of base and 70 mm length of axis is having an edge of base on the HP and the rectangular face containing that edge is inclined 30° to HP and perpendicular to VP. Draw its projections. (5)
 c) Draw S.F.V (Along Sectional plane A-A) (5)



OR

- Q2. A cone, diameter of base 60 mm and height 70 mm has one of its generator on HP and plane containing axis and that generator is inclined at an angle 45° with VP. Draw the projections of the cone when the apex is away from the observer. (15)

OR

- Q3. Draw
 i) Sectional FV (5)
 ii) TV (4)
 iii) LHSV (4)
 IV) Insert 10 major dimensions (2)

